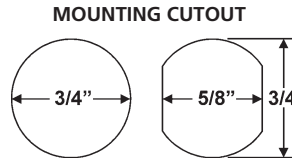
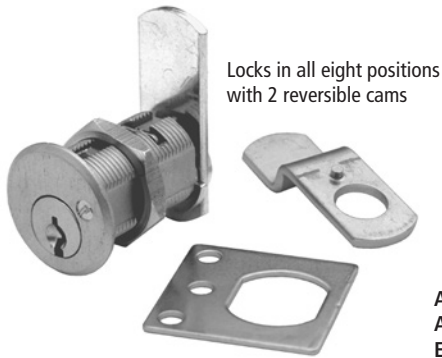


► DCN Cam Lock



ANSI/BHMA
A156.11 Grade 1
E07261 / E07271

Woodwork Institute
(WI) acknowledged
product

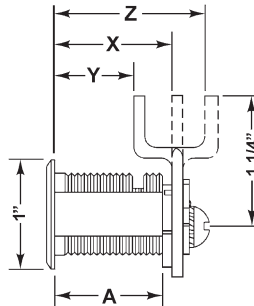
Item	Finish	Cyl. Length	Keying
DCN1	26D, US3, 10B	1-1/16"	KD, KA 101,103,107,915 KA 51001,51002,51003,51004*note Custom keyed
DCN2	26D, US3, 10B	1-3/16"	
DCN3	26D, US3, 10B	1-7/16"	
DCN4	26D, US3, 10B	1-3/4"	

Cylinder length: As measured with straight cam.

*note KA# 51001, 51002, 51003 and 51004 available in US26D finish only

DIMENSIONS

	For Mat. Thickness	Straight Cam (X)	Inbent Cam (Y)	Outbent Cam (Z)	Cylinder Length (A)
DCN1	3/4"	1-1/16"	3/4"	1-3/8"	1"
DCN2	7/8"	1-3/16"	7/8"	1-1/2"	1-1/8"
DCN3	1-1/8"	1-7/16"	1-1/8"	1-3/4"	1-3/8"
DCN4	1-1/2"	1-13/16"	1-1/2"	2-1/8"	1-3/4"



SPECIFICATIONS

Keying: Can be keyed together with other N Series locks

Rekeyable: Easily rekeyable via cylinder retainer clip

ANSI/BHMA: Passed ANSI/BHMA A156.11 Grade 1 performance requirements. Equivalent to E07261 / E07271.

US Patent Nos: 5,038,589; 5,737,950

Body: Zinc die cast

Cylinder: Zinc die cast, pin tumbler

Standard function: Key removable in locked or unlocked position.

Key retaining function: Alternate key-retaining shifters (page 61) are available separately for key removable in locked position only.

Cams: 2 reversible cams work in all positions

Face: 1" face covers splintering, no additional trim ring required

Finish: 26D, US3 or 10B

Packaged: Packed 10 per box

KEYING INFORMATION

Keyway: N Series (equivalent to National D4291 4-pin or D4292 5-pin system)

Keys: Includes 2 keys per lock

Stock keying: KD/KA - 4 pin standard

Stock KA#: 101, 103, 107, 915, 51001, 51002, 51003, 51004*note

Masterkeyed: 5 pin standard

Grand masterkeyed: Available

Keyblank 4-pin: KBN-4-NP (equivalent to NA14, 1069L)

Keyblank 5-pin: KBN-5-NP (equivalent to NA12, 1069LA)

INCLUDED ACCESSORIES

See below.

OPTIONAL ACCESSORIES

See pages 60-61 for a complete list of optional cam sizes and other accessories for use with DCN cam locks.

DCNP-200-KR: Key retaining drawer cam shifter

DCNP-200-KDR: Key retaining door cam shifter

INCLUDED ACCESSORIES

