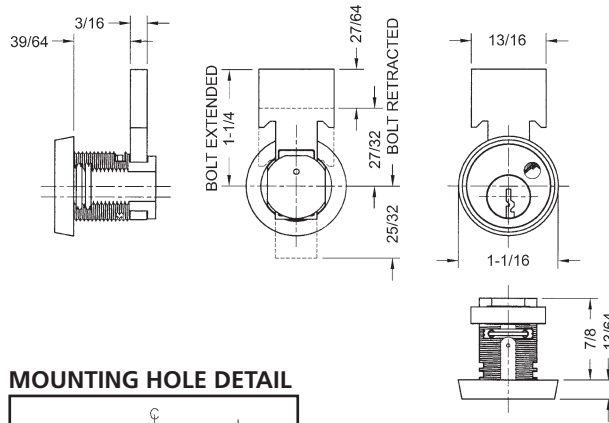
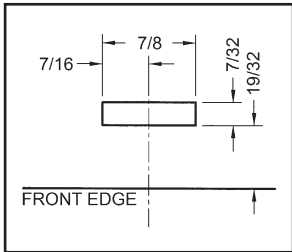


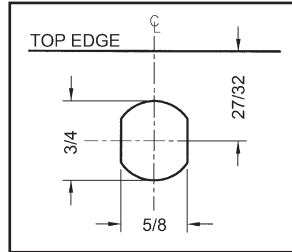
## ► T37 T-Bolt Drawer Lock



### DRAWER DETAIL



### MOUNTING HOLE DETAIL



Item	Finish	Cyl. Length	For Material	Keying
T37	26D	19/32"	1/4"	KA* or KD (4-pin) Custom, master keyed (4-pin)
T37-2		Long bolt		
T37-3		Short bolt (Chicago-style) for 25/32" backset		
T37-RC		Spring mounting clip		
T37-NKIT		Number plate kit		
T37DC-NP		Replacement number plate only		
*KA Nos: 101,103,107,915 51001 through 51011 001 through 030 Other non-stock codes available through custom keying.				

## SPECIFICATIONS

**Keying:** Can be keyed together with other N Series locks

**Rekeyable:** Working top-slide, cylinder retainer staple and removable bezel ring make rekeying fast and easy. No more need to pry off faceplates and pin retainers clips.

**US Patent No:** 5,038,589

**Standard function:** Key removable in locked or unlocked position.

**Retrofits:** National C8137

**Body:** Zinc die cast

**Cylinder:** Zinc die cast, pin tumbler

**Bolt:** Stainless steel

**Includes:** Brass mounting nut. Spring mounting clip  
T37-RC is available separately.

**Barrel diameter:** 3/4"

**Across flats:** 5/8"

**Finish:** 26D

**Packaged:** Packed 10 per box

## KEYING INFORMATION

**Keyway:** N Series (equivalent to National D4291 4-pin system)

**Keys:** Includes 2 keys per lock

**Stock keying:** KD/KA - 4 pin standard

**Stock KA#:** 101, 103, 107, 915

51001 through 51011

001 through 030

**Masterkeyed:** 4 pin standard

**Keyblank 4-pin:** KBN-4-NP

(equivalent to NA14, 1069L)

## SPECIAL NOTE ON BOLTS ONLY

The T37-1 (regular bolt), T37-2 (long bolt) and T37-3 (short bolt) will not work in the National C8137 lock. However, the C8137 bolts will work in the T37 lock.

## OPTIONAL ACCESSORIES

See below.

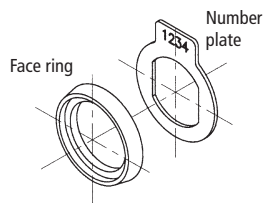
## OPTIONAL ACCESSORIES



### T37-RC

Spring mounting clip

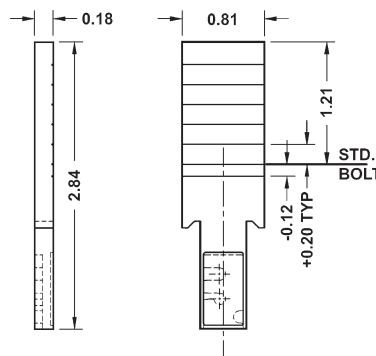
The lock comes standard with clip mounting locations up to 11/64" material thicknesses.



### T37-NKIT

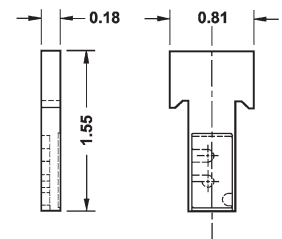
Number plate kit eliminates need to stamp face of lock

Replacement number plates also available separately (Use part no. T37DC-NP).



### T37-2

Long bolt can be cut to length required by application



### T37-3

Short bolt for 25/32" backset