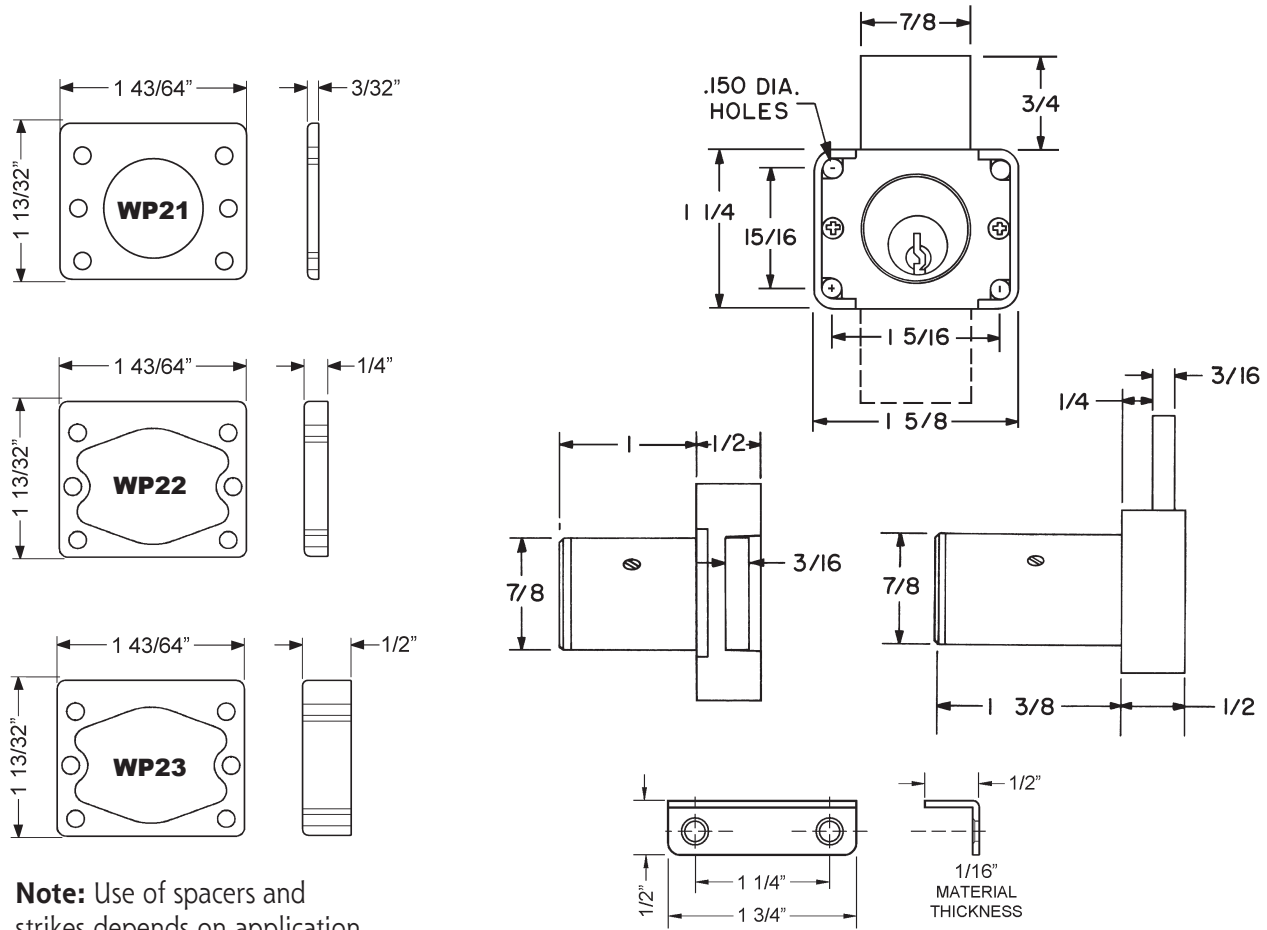
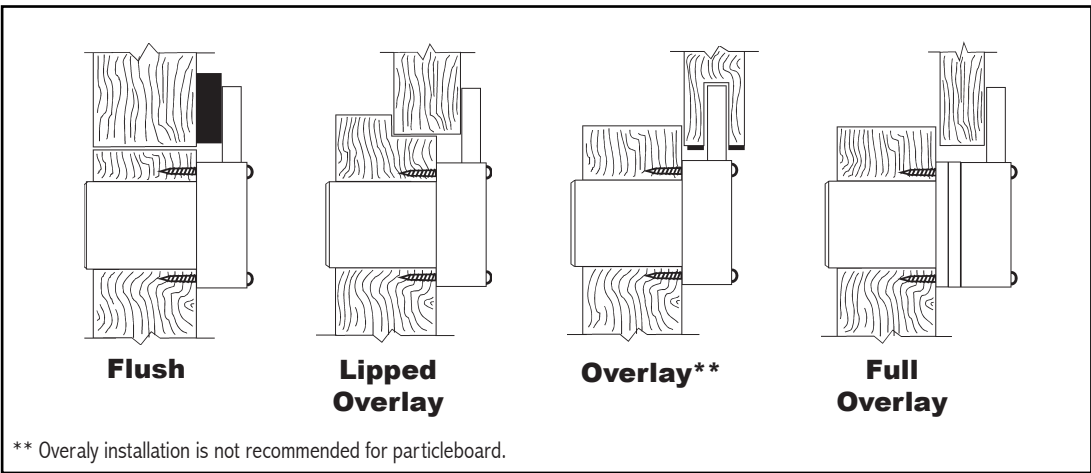


# Installation Instructions

## 200DW

### Typical Installation



**Note:** Use of spacers and strikes depends on application and material thickness.

**12-3 - medium angle strike**

Title <b>Installation instructions for 200DW series cabinet door lock</b>				
Series <b>200DW</b>	Barrel Length <b>7/8" or 1-3/8"</b>	Bolt type <b>Deadbolt</b>	Mounting <b>Surface</b>	Revision Date <b>11/2013</b>

