

Optional Cams

For DCN, DCR and B7
3/4" Diameter Cam Locks

GENERAL SPECIFICATIONS

Use with: DCN, DCR and B7 series 3/4" cam locks

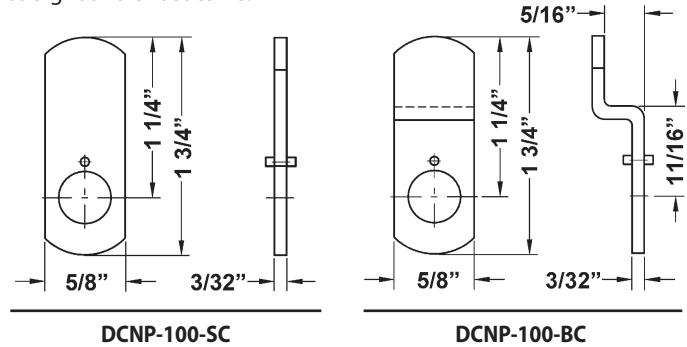
Reversible: All bent cams are reversible and can be used in either the inbent or outbent position.

Patented technology: All cams work with our patented cam shifting system that allows all cams to lock in all four positions: up, down, right or left.

Optional shifters: For key-retaining function (key removable in locked position only) are available separately.

Standard Cams

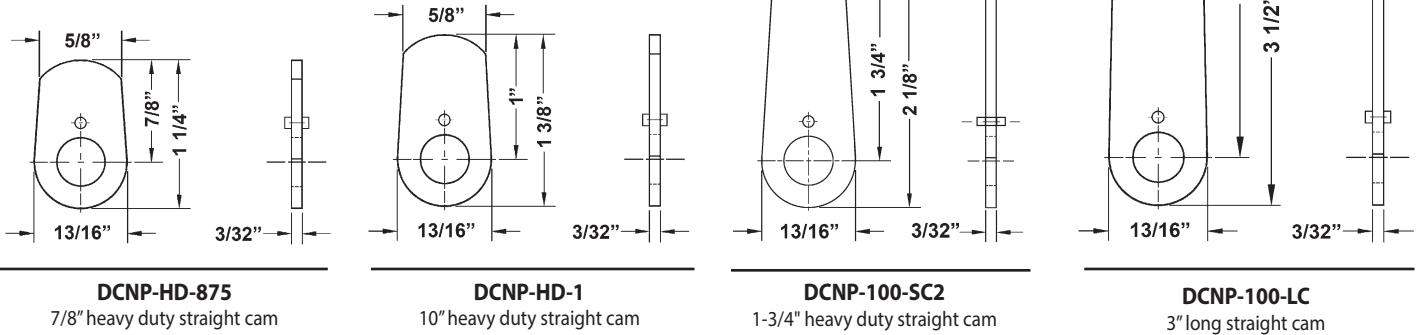
The DCN, DCR and B7 series cam locks ship standard with the following straight and offset cams:



Standard Cams	
Item #	Description / Packed Each
DCNP-100-SC	1-1/4" long straight cam
DCNP-100-BC	1-1/4" long cam, 5/16" offset

SEE BACK OF PAGE FOR ADDITIONAL CAMS

Straight Cams	
Item #	Description / Packed Each
DCNP-HD-1	1" long straight cam
DCNP-HD-875	7/8" long straight cam
DCNP-100-SC2	1-3/4" long straight cam
DCNP-100-LC	3" long straight cam

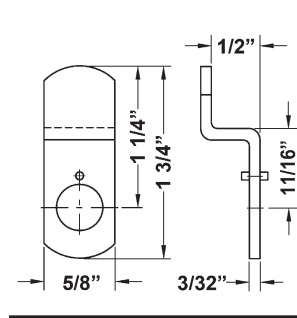


Optional Cams

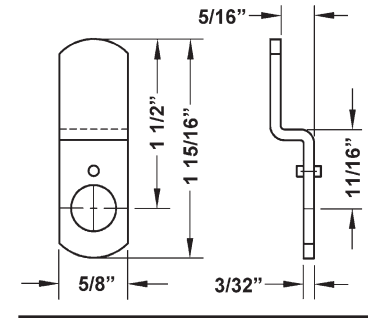
For DCN, DCR and B7 3/4" Cam Locks

OPTIONAL OFFSET CAMS

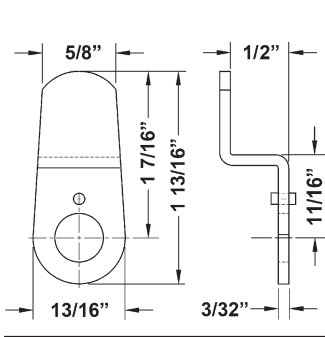
Offset Cams	
Offset cams are reversible and can be used in either the inbent or outbent position.	
Item #	Description / Packed Each
DCNP-100-BC5	1-1/4" long cam, 1/2" offset
DCNP-100-HC1	1-1/2" long hook cam, 5/16" offset
DCNP-100-HD	1-7/16" long cam, 1/2" offset
DCNP-100-HD2	1-3/4" long cam, 5/16" offset
DCNP-100-HD3	1-1/8" long cam, 5/16" offset
DCNP-100-LBC	1-1/2" long cam, 5/16" offset



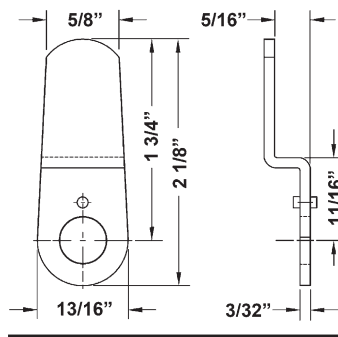
DCNP-100-BC5
1/2" offset cam



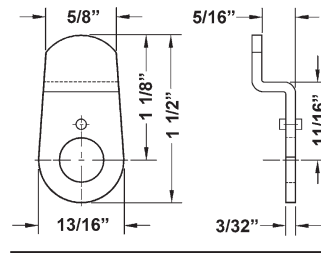
DCNP-100-LBC
3" long offset cam



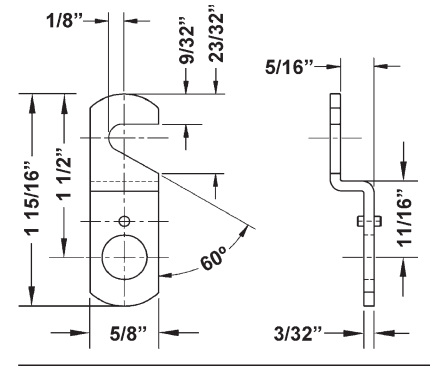
DCNP-100-HD
1-7/16" heavy duty offset cam



DCNP-100-HD2
1-3/4" heavy duty offset cam



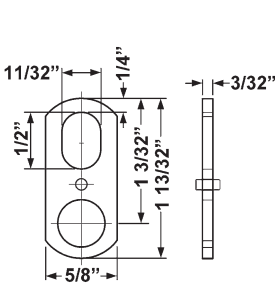
DCNP-100-HD3
1-1/8" heavy duty offset cam



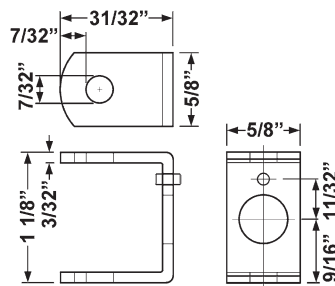
DCNP-100-HC1
offset hook cam

OPTIONAL SPECIALTY CAMS

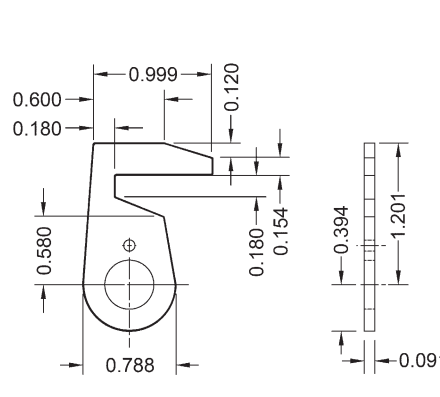
Specialty Cams	
Item #	Description / Packed Each
DCNP-100-HC1	1-1/2" long hook cam, 5/16" offset
DCNP-100-B1	1-3/32" long straight cam w/cutout
DCNP-100-B2	U-shaped cam
DCNP-100-B3	1.2" long straight hook cam
DCNP-100-WB	Short cam with perpendicular arm



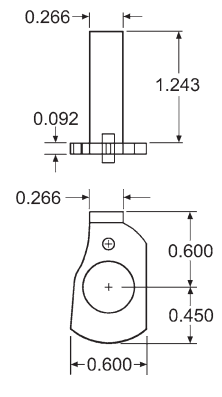
DCNP-100-B1
straight cam w/cutout



DCNP-100-B2
U-shaped cam



DCNP-100-B3
straight hook cam



DCNP-100-WB
short cam with perpendicular arm