

DCN SERIES

N Series: 3/4" Cam Lock

ANSI/BHMA Grade 1
E07261 | E07271

Woodwork Institute (WI)
acknowledged product

SPECIFICATIONS

Keying: Can be keyed together with other N Series locks

Cylinder length: DCN1 =1", DCN2=1-1/8", DCN3=1-3/8" and DCN4=1-3/4"

Rekeyable: Easily rekeyable via cylinder retainer clip

ANSI/BHMA: Passed ANSI/BHMA A156.11

Grade 1 performance requirements. Equivalent to E07261 / E07271.

US Patent Nos: 5,038,589; 5,737,950

Body: Zinc die cast

Cylinder: Zinc die cast, pin tumbler

Standard function: Key removable in locked or unlocked position.

Key retaining function: Alternate key-retaining shifters are available separately for key removable in locked position only.

Cams: 2 reversible cams work in all positions

Face: 1" face covers splintering, no additional trim ring required

Finish: 26D, US3 or 10B

Packaged: Packed 10 per box

KEYING INFORMATION

Keyway: N Series (equivalent to National D4291 4-pin or D4292 5-pin system)

Keys: Includes 2 keys per lock

Stock keying: KD/KA - 4 pin standard

Stock KA#: 101, 103, 107, 915

NEW Stock KA#: 51001, 51002, 51003, 51004

(Coming September 2016)

Masterkeyed: 5 pin standard

Grand masterkeyed: Available

Keyblank 4-pin: KBN-4-NP

(equivalent to NA14, 1069L)

Keyblank 5-pin: KBN-5-NP

(equivalent to NA12, 1069LA)

INCLUDED ACCESSORIES

See below.

OPTIONAL ACCESSORIES

Alternate cams

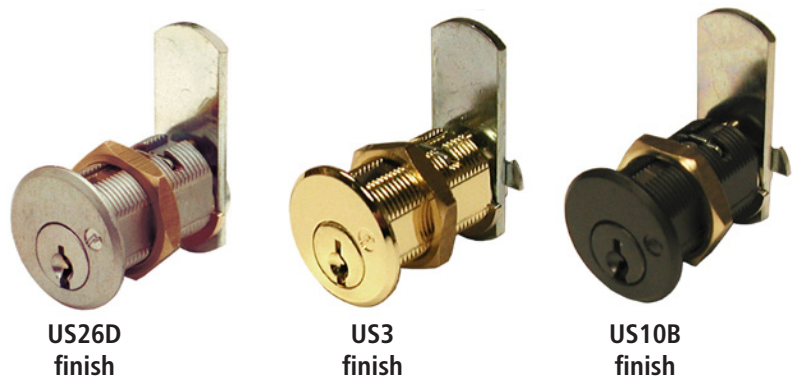
Key retaining drawer cam shifter

Key retaining door cam shifter

DCN

Keyway: N Series, National Keyway

Handing: Includes 2 cams that work in all handings (door or drawer)



US26D
finish

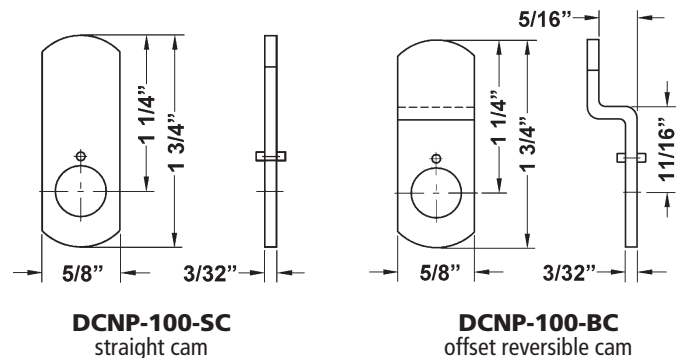
US3
finish

US10B
finish

DCN SERIES FEATURES

- Non-handed—Field reversible locking positions: right-hand, left-hand, vertical and inverted
- Only 2 cams required—Ships with reversible straight and offset cams that meet requirements of all locking positions
- Easy rekeyability—Allows for a quick installation and increased productivity
- Anti-rotation plate—Eliminates lock rotation, prevents loosening of fixing nut, and provides additional security in particleboard applications

INCLUDED CAMS



OLYMPUS
LOCK, INC.
The cabinet lock innovators.

DCN SERIES

N Series: 3/4" Cam Lock

ANSI/BHMA Grade 1
E07261 | E07271

Woodwork Institute (WI)
acknowledged product

OPTIONAL ACCESSORIES - See our website for a complete list of optional components.

Other Accessories

Key-retaining cam shifters

- For door function: DCNP-200-KDR
- For Drawer function: DCNP-200-KR

Washers

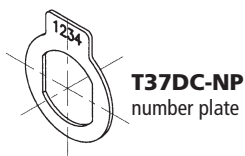
- Pronged wood washer: DCNP-SPW
- Self-adhesive clear plastic washer for mounting lock on glass: DCNP-GW

Finger Pull

- Finger pull: DCNP-300-FP

Number Plates

- T37DC-NP number plate



TRB7 Series Trim Collars

Finish: US26D



Optional Cams

Note: Offset cams are reversible and can be used in either the inbent or outbent position.

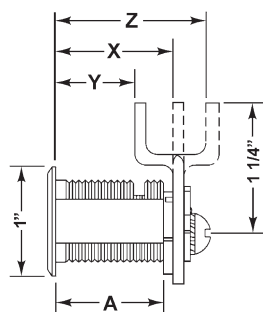
Item	Description / Packed
DCNP-HD-875	7/8" long straight cam
DCNP-HD-1	1" long straight cam
DCNP-100-SC	1-1/4" long straight cam
DCNP-100-SC2	1-3/4" long straight cam
DCNP-100-LC	3" long straight cam

Item	Description / Packed
DCNP-100-BC	1-1/4" long cam, 5/16" offset
DCNP-100-BC5	1-1/4" long cam, 1/2" offset
DCNP-100-HC1	1-1/2" long hook cam, 5/16" offset
DCNP-100-HD	1-7/16" long cam, 1/2" offset
DCNP-100-HD2	1-3/4" long cam, 5/16" offset
DCNP-100-HD3	1-1/8" long cam, 5/16" offset
DCNP-100-LBC	1-1/2" long cam, 5/16" offset

Item	Description / Packed
DCNP-100-B1	Straight cam with oval cutout
DCNP-100-B2	U-shaped cam
DCNP-100-B3	Straight hook cam
DCNP-100-WB	Short cam / 90° offset arm

>> Visit our website www.olympus-lock.com for complete dimension and descriptions of available optional cams.

DIMENSIONS | TYPICAL INSTALLATION



DIMENSIONS

	For Mat. Thickness	Straight Cam (X)	Inbent Cam (Y)	Outbent Cam (Z)	Cylinder Length (A)
DCN1	3/4"	1-1/16"	3/4"	1-3/8"	1"
DCN2	7/8"	1-3/16"	7/8"	1-1/2"	1-1/8"
DCN3	1-1/8"	1-7/16"	1-1/8"	1-3/4"	1-3/8"
DCN4	1-1/2"	1-13/16"	1-1/2"	2-1/8"	1-3/4"

MOUNTING CUTOUT

