



The Olympus News

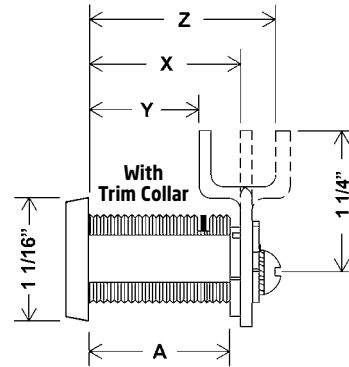
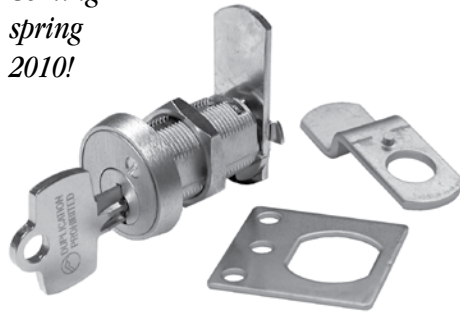
We are your cabinet lock innovators.

February 2010

A publication of
Olympus Lock, Inc.

New! B7 Series - 3/4" cam lock with Best A, E or G keyway

*Coming
spring
2010!*



With Trim Collar	
For Mat. Thickness	7/8"
Straight Cam (X)	1-3/16"
Inbent Cam (Y)	7/8"
Outbent Cam (Z)	1-1/2"
Cylinder Length (A)	1-1/8"

IN THIS ISSUE

New! B7 Series

New! 829R / 829R-LC

New! 12-4-NP

New! 720B

New! FC10 / FC26-AR

Current Literature

GENERAL FEATURES:

Rekeyable: Easily rekeyable via cylinder retainer clip

US Patent Nos: 5,038,589; 5,737,950

Body: Zinc die cast lock body

Cylinder: Zinc die cast pin tumbler cylinder, drilled for 7 pins

Functions: Non-key retaining, key-retaining shifters are available separately

Cams: 2 reversible cams work in all positions

Finish: 26D

Packaging: Packed 10 per box

KEYING INFORMATION:

Keyway: Available in A, E or G keyways

Stock keying: O-Bit

Keying: Custom and/or masterkeying available. Specify at time of order.

INCLUDES:

Trim collar, anti-rotation plate, straight cam and reversible offset cam.

Part #	Finish	Keyway	Cyl. Length	Pin Tumbler Keying	Weight	Price Each
B7A	26D	A	1-3/16" - 1-3/8"	O-Bit	3.2 lbs/box	\$29.00
B7A	26D	A	1-3/16" - 1-3/8"	Custom, non-stock or master keyed	3.2 lbs/box	\$34.00
B7E	26D	E	1-3/16" - 1-3/8"	O-Bit	3.2 lbs/box	\$29.00
B7E	26D	E	1-3/16" - 1-3/8"	Custom, non-stock or master keyed	3.2 lbs/box	\$34.00
B7G	26D	G	1-3/16" - 1-3/8"	O-Bit	3.2 lbs/box	\$29.00
B7G	26D	G	1-3/16" - 1-3/8"	Custom, non-stock or master keyed	3.2 lbs/box	\$34.00

Item	Part #	Packed	Price Each
Additional cams	DCNP-100-SC, DCNP-100-BC, DCNP-100-LC, DCNP-100-LBC, DCNP-100-BC5, DCNP-100-WB	Packed Each	\$1.50
Finger pull	DCNP-300-FP	Packed Each	\$1.87
Key-retaining drivers	DCNP-200-KR (Drawer)	Packed Each	\$1.43
	DCNP-200-KDR (Door)	Packed Each	\$1.43
Number plate ring kit	T37-NKIT (includes plate & trim collar)	Packed Each	\$2.66
Number plate ring only	T37DC-NP (replacement rings only)	Packed Each	\$0.56
Pronged wood washer	DCNP-SPW	Packed Each	\$0.67

B7 ships standard with DCNP-500-ARP (anti-rotation plate), DCNP-100-SC (straight cam) and DCNP-100-BC (reversible bent cam). For keyblanks and cut keys: use KB-400 series (below).

OLYMPUS LOCK, INC.

18424 Highway 99
Lynnwood, WA 98037
206-362-3290
800-525-0954

Fax 206-362-3569
www.olympus-lock.com
info@olympus-lock.com

New Items: 829R / 829R-LC

829R / 829R-LC Ratchet Lock



GENERAL FEATURES:

Rekeyable: Easily rekeyable via set screw cylinder release mechanism

Body: Zinc die cast lock body

Cylinder: Will accept other manufacturer's Schlage compatible key-in-knob cylinders

Finish: 26D

Packaging: Packed 10 per box

KEYING INFORMATION:

Keyway: Schlage C keyway

Cylinder: Solid brass pin tumbler cylinder

Stock keying: KD/KA - 5 pin standard

Stock KA#: 101, 102, 0-Bit

Masterkeying: 5 pin standard, 6 pin available

Keyblank 5-pin: KBSC-5

Keyblank 6-pin: KBSC-6

829R-LC KEYING INFORMATION:

Includes: All parts necessary to work with other manufacturers Schlage compatible cylinders.

Will accept: Other manufacturer's Schlage compatible deadbolt cylinders.

Medeco cylinders: Requires optional 829-MD Medeco Driver Pack (available separately.) Will accept the following Medeco cylinders

Original: 6 pin #20-009S4

5 pin #20-008S4

Biaxial: 6 pin #20W009S4

5 pin #20W008S4

Keymark: 6 pin #20K009S4

Key retaining cylinder:
#20W200S1

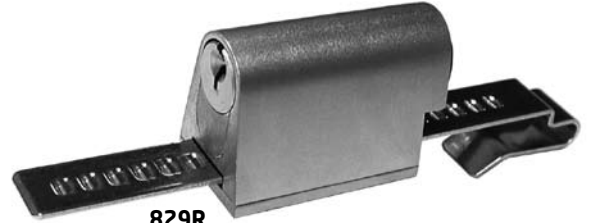
INCLUDES:

729RS-1 strap for 3/16" to 1/4" material thicknesses

OPTIONAL ACCESSORIES:

729RS-2 strap for 3/8" material thickness

729RS-3 strap for up to 5/8" material thickness



829R



829R-LC
LESS CYLINDER

Part #	Finish	Fits Material	Pinning	Pin Tumbler Keying	Weight	Price Each
829R	26D	For 1/4" panels	5 pin	KD, KA 101, 102	8.8 lbs/box	\$62.50
829R	26D	For 1/4" panels	6 pin	Custom, non-stock or master keyed	8.8 lbs/box	\$68.30

Part #	Finish	Fits Material	Cylinder	Description	Weight	Price Each
829R-LC	26D	For 1/4" panels	N/A	Less cylinder	7.0 lbs/box	\$53.00

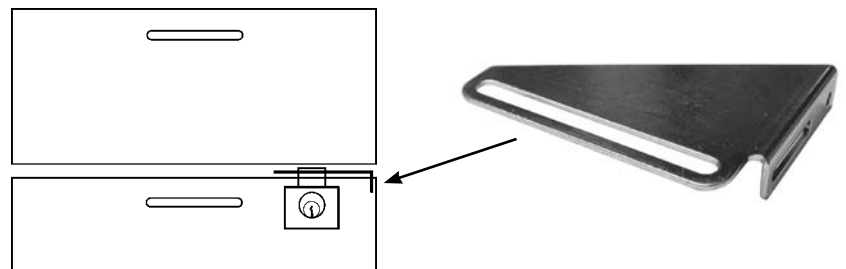
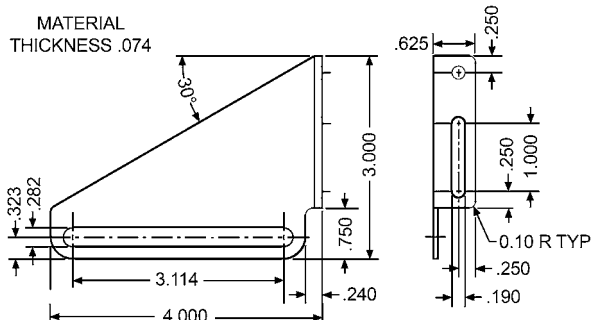
Part #	Description	Packed	Price Each
829-MD	Medeco driver pack - required if using Medeco original cylinders	Packed Each	\$8.10
729RS-2	Optional strap for 3/8" panel thickness	Packed Each	\$7.26
729RS-3	Optional strap for maximum 5/8", minimum 3/8" panel thickness	Packed Each	\$11.00

*829R and 829R-LC ship standard with 729RS-1 strap for 1/4" panel thickness.

12-4-ZP Frameless Drawer Strike

Provides a locking point when there is no frame between drawers. Can be mounted on left or right side of cabinet frame.

Finish: Zinc plated



Part #	Description	Price Each
12-4-ZP	Frameless drawer strike (zinc plated)	\$6.22

New Items: 720B

B SERIES :: Premium Line Locks

GENERAL FEATURES:

Certifications: Passed ANSI/BHMA A156.11

Grade 1 performance requirements

Retrofits: Best 1E7D4 or 1E7E4

Functions: Includes all parts for key-retaining or non-key-retaining function

Body: Machined brass lock body

Finish: 26D

Packaging: 10 per box

KEYING INFORMATION:

Cores: Not included.

Accepts: Best, Arrow, Falcon, KSP,

Schlage SFIC or equivalent small format interchangeable cores



Solid machined brass body



720-PL3
Anti-rotation plate



725-PA plastic actuator



720B SFIC Cam Lock (solid machined brass body)

Part #	Finish	Cyl. Length	Description	Weight	Price Each
720B	26D	1-7/16"	IC Cam Lock (solid brass body)	4.8 lbs/box	\$48.00

New Items: FC10 / FC26-AR

FC10 File Cabinet Lock Kit

GENERAL FEATURES:

Rekeyable: Working top-slide, patented "cylinder retainer staple" and removable bezel ring make rekeying fast and easy.

Retrofit: Replacement for HON F24/F28 style vertical file cabinet locks.

U.S. Patent No: 5,038,589

Material: Zinc die cast lock body

Includes: Brass mounting nut

Barrel diameter: 3/4"

Across flats: 5/8"

Finish: 26D

Packaged: Packed 10 per box

OPTIONAL ACCESSORIES:

T37-NKIT - Number plate kit, eliminates need to stamp face of lock. Replacement number ring plates available.

KEYING INFORMATION:

Keyway: National D4291 (4 pin) or D4292 (5 pin) keyway

Stock keying: KD/KA - 4 pin standard

Stock KA#: 101, 103, 107, 915

Masterkeying: 5 pin standard

Keyblank 4-pin: KBN-4-NP

Keyblank 5-pin: KBN-5-NP



FC10



Replacement kit for HON F24/F28 style vertical file cabinet locks.

Part #	Finish	Fits	Pinning	Pin Tumbler Keying	Weight	List Each
FC10	26D	HON vertical	4 pin	KD, KA 101,103,107,915	2.5 lbs/box	\$26.00
FC10	26D	file cabinets*	5 pin	Custom, non-stock or master keyed	2.5 lbs/box	\$28.40

* Direct replacement for HON F24/F28 style file cabinet lock. Includes all parts necessary for complete lock replacement.

FC26-AR Adapter Ring

GENERAL FEATURES:

Use: Replaces standard trim collar shipped with the Olympus FC10.

Retrofit: Replacement for HON F26 style vertical file cabinet locks.

Conversion: Converts the Olympus FC10 file cabinet lock so it can be used as a replacement for a HON F26 style vertical file cabinet lock.

Usage: Use the FC26-AR adapter ring in place of the bezel ring that comes standard with the FC10.

Installation: Install trim collar with arrow on back facing top of cabinet.



FC26-AR



Part #	Finish	Fits	Description	Price Each
FC26-AR	26D	HON vertical file cabinets*	Adapter ring allows use of FC10 file cabinet lock kit in HON F26 style applications	\$3.80

Use this optional FC26-AR adapter with the standard FC10 file cabinet lock kit for replacement of HON F26 style file cabinet lock.

Olympus Lock, Inc.
PO Box 1277
Lynnwood, WA 98046

Current Literature

Current Literature

Contact your Olympus Lock representative, call Olympus directly at 800-525-0954 or email info@olympus-lock.com for the most recent version of our catalogs, price list or poster.

Price list: July 1, 2008 - Rev. 2

Product catalog: January 2010

Poster: 2006

Business Hours

7:00 am to 4:00 pm Pacific Time.

Web Site

www.olympus-lock.com

