



The Olympus News

We are your cabinet lock innovators.

July 2008

A publication of
Olympus Lock, Inc.

IN THIS ISSUE

New! T37 T-Bolt Lock

T37 Accessories

New! 329R/429R

New! Spacers

Current Literature

Introducing... The T37 Series T-bolt Lock

*The industry's first easily rekeyable T-Bolt lock
for metal bank drawers.*

**Now
Available!**

Directly replaces National C8137!

Keyway: Available in National D4291 (4-pin) keyway. KA, KD or MK.

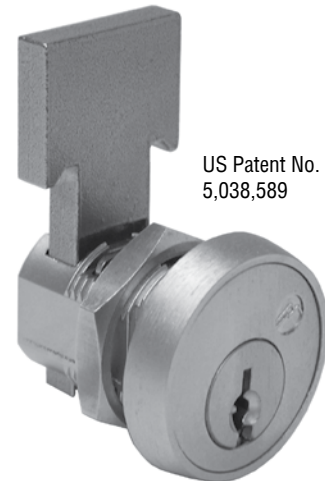
Rekeyable: Working top-slide, patented "cylinder retainer staple" and removable bezel ring make rekeying fast and easy. No more need to pry off faceplates and pin retainer clips.

Stronger bolt: Our stainless steel bolt will withstand repeated abuse without breaking.

Retrofits: National C8137.

Mounting: Ships standard with brass fixing nut.

Spring clip: Optional spring clip is available for clip mounting if desired. The lock comes standard with clip mounting locations for 0" to 11/64" material thicknesses.



US Patent No.
5,038,589

See page 2 for T37 accessories!

T37 Series - T-Bolt Drawer Lock (4 pin tumbler)					
Part No.	Finish	Cyl. Length	For Material	Keying	List Price Ea.
T37	26D	19/32"	Up to 3/8"	KA* or KD Custom, master keyed	\$23.15 \$25.43
T37 Accessories					
T37-1	Standard bolt (requires bolt spring sold separately)				\$6.44
T37-2	Optional long bolt (requires bolt spring sold separately)				\$10.58
T37-RC	Optional spring mounting clip				\$1.10
T37-SP	Replacement bolt spring				\$0.36
T37-TR	Replacement trim collar				\$2.10

T37-NKIT	Number plate kit for T37 (includes below 2 items)				\$2.66
T37DC-NP	Number plate only				\$0.56
T37-TR2	Trim collar for use with number plates				\$2.10

*KA Nos. 101,103,107,915 and 001 through 030. Other codes available via custom keying.

OLYMPUS
LOCK, INC.

18424 Highway 99
Lynnwood, WA 98037
206-362-3290
800-525-0954
Fax 206-362-3569
www.olympus-lock.com
info@olympus-lock.com

**Looking for that hard to find key code for Lefebure,
Diebold or Mosler? Look no further!**

Product Spotlight: T37 Accessories/Dimensions

T37 Series T-Bolt Lock

Rekeyable: Easily rekeyable via working top slide and patented retainer staple cylinder removal mechanism

Retrofits: National C8137

Body: Zinc die cast

Bolt: Stainless steel

For material: Up to 3/8"

Barrel diameter: 3/4"

Across flats: 5/8"

Finish: US26D (satin chrome)

Cylinder: National D4291 keyway

Keying: KA/KD/MK (4 pin), stock KA Nos. 101, 103, 107, 915 and 001 through 030.

Master and/or custom keying available.

Available Separately

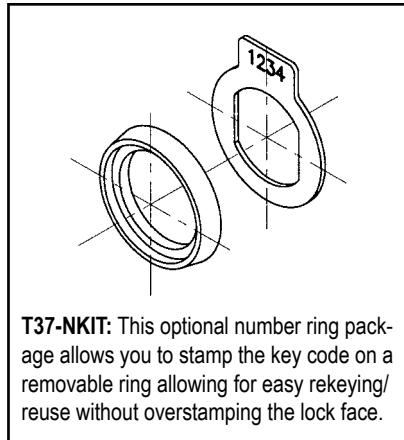
T37-RC - Spring mounting clip

Use of spring clip allows lock to fit material thicknesses of 0" to 11/64"

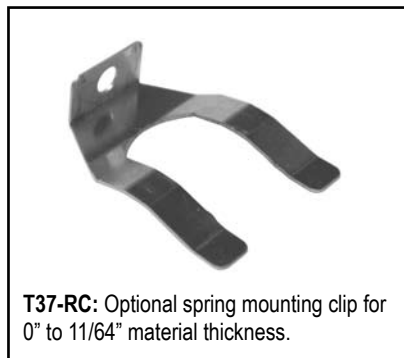
T37-NKIT - Number ring package

T37DC-NP - Number plate only

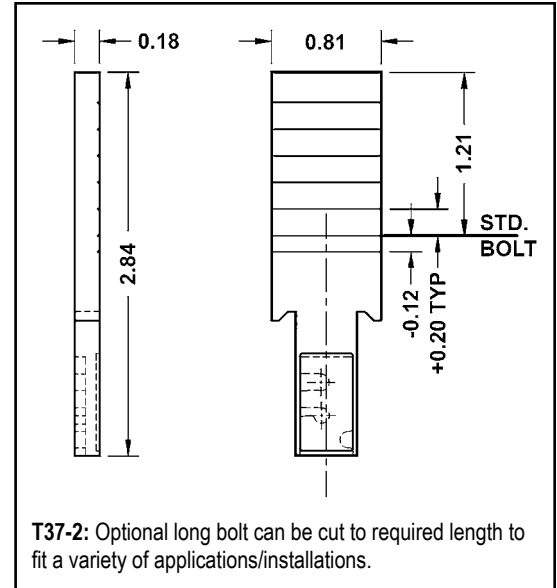
T37-2 - Long bolt



T37-NKIT: This optional number ring package allows you to stamp the key code on a removable ring allowing for easy rekeying/reuse without overstepping the lock face.

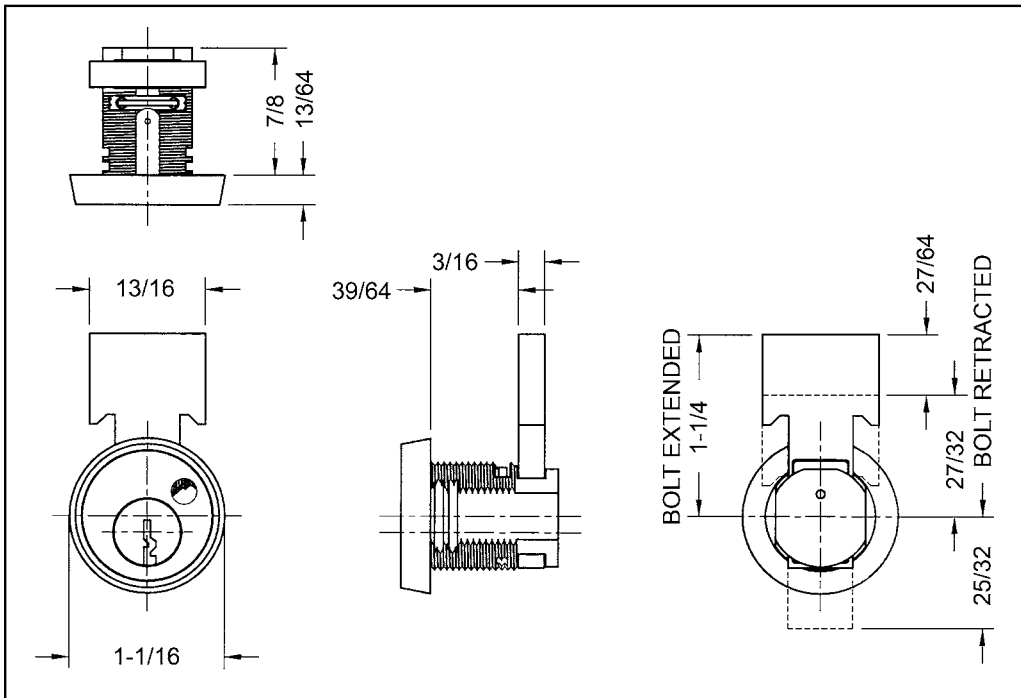


T37-RC: Optional spring mounting clip for 0" to 11/64" material thickness.

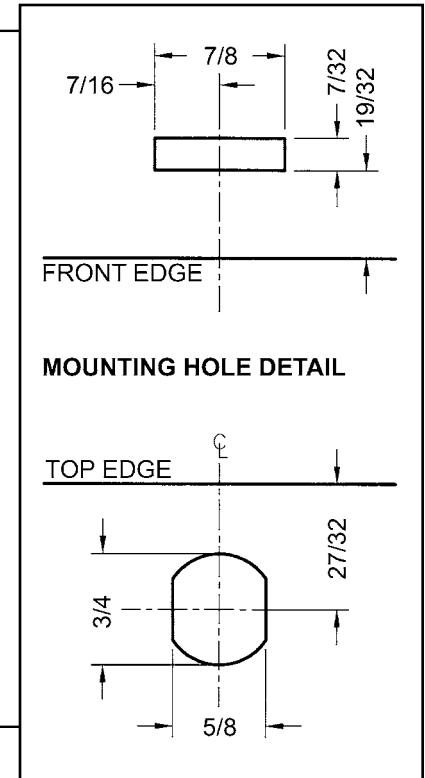


T37-2: Optional long bolt can be cut to required length to fit a variety of applications/installations.

T37 Lock Dimensions

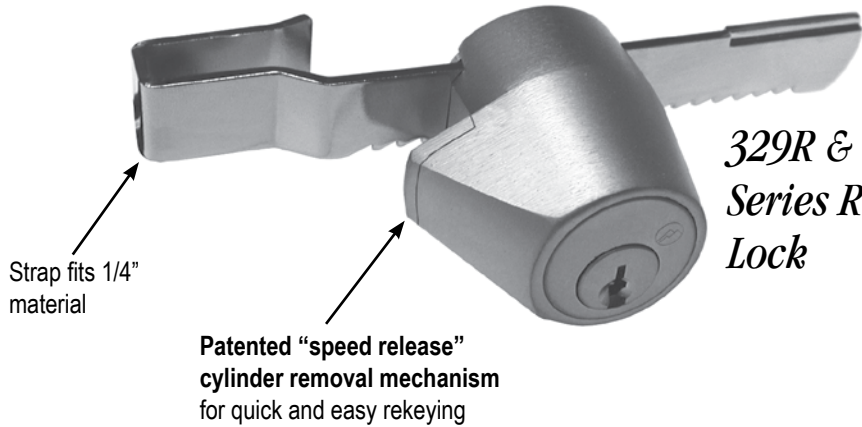


T37 Mounting Dimensions



New Items: 329R/429R + Large Pin Spacers

Coming 4th Quarter, 2008
Available in National or CCL Keyways



*329R & 429R
Series Ratchet
Lock*

Strap fits 1/4"
material

Patented "speed release"
cylinder removal mechanism
for quick and easy rekeying

General Features:

Function: Ratchet lock
Rekeyable: Easily rekeyable via speed-release cylinder release mechanism
U.S. Patent Nos: 5,121,619
Body: Zinc die cast lock body
Cylinder: Solid brass pin tumbler
Strap: Strap fits 1/4" material
Finish: 26D
Packaged: Packed 10 per box

329R Features:

Keyway: National D4291 (4 pin) or D4292 (5 pin) keyway
Stock keying: KD/KA - 4 pin standard
Stock KA#:s: 101, 103, 107, 915
Masterkeying: 5 pin standard
Keyblank 4-pin: KBN-4-NP
Keyblank 5-pin: KBN-5-NP

429R Features:

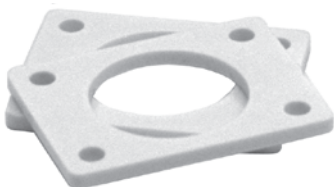
Keyway: CCL R1 keyway
Stock keying: KD/KA - 5 pin standard
Stock KA#:s: 4T21579, 4T37526
Masterkeying: 5 pin standard
Keyblank 5-pin: KBR-5-NP

Large Pin Plastic Spacers

For use with 7/8" diameter cabinet locks.

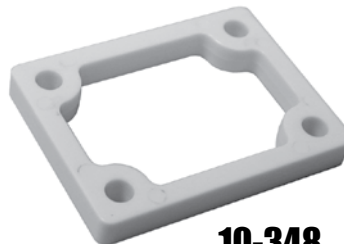
10-348 - 1/4" thickness
10-349 - 1/2" thickness
10-350 - 1/8" thickness

Coming in July, 2008
10-348 & 10-349 Spacers

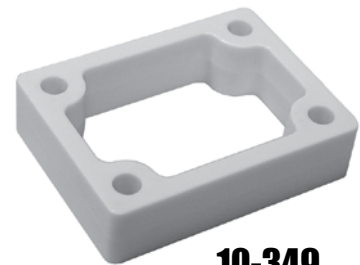


10-350
1/4" Thick

Currently available.



10-348
1/4" Thick



10-349
1/2" Thick

Current Literature

Current Literature

Contact your Olympus Lock representative, call Olympus directly at 800-525-0954 or email info@olympus-lock.com for the most recent version of our catalogs, price list or poster.

Price list: July 1, 2008

Product catalog: May 2008

Condensed catalog: June 2007

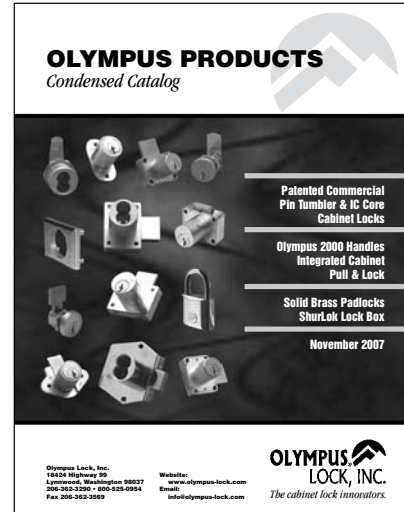
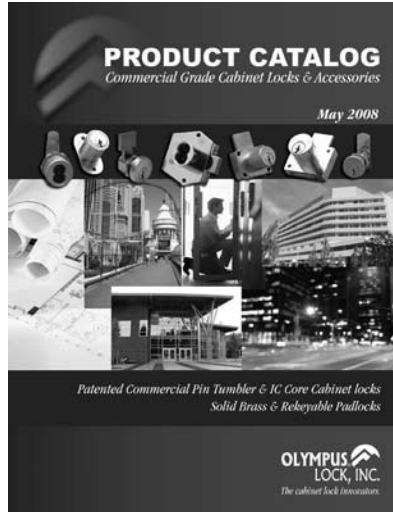
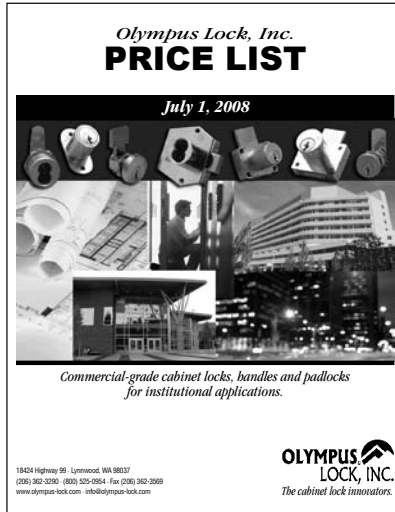
Poster: 2006

Business Hours

7:00 am to 4:00 pm Pacific Time.

Web Site

www.olympus-lock.com



Copyright © 2008 Olympus Lock, Inc.

Olympus Lock, Inc.
PO Box 1277
Lynnwood, WA 98046