

Newsletter

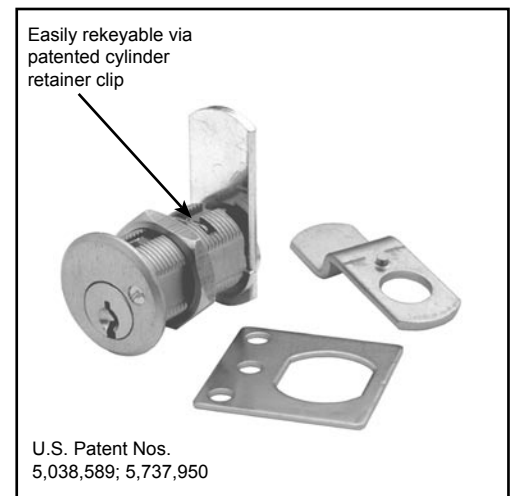
We are your cabinet lock innovators.

Only one pin-tumbler cam lock has all these standard features!

The DCN/DCR cam lock from Olympus Lock features:

- ① **Easy rekeyability**—Allows for a quick installation and increased productivity.
- ② **One inch face**—Covers chips in laminate without an additional trim ring.
- ③ **Non-handed**—Field reversible locking positions: right-hand, left-hand, vertical and inverted.
- ④ **Only 2 cams required**—Ships with reversible straight and offset cams that meet requirements of all locking positions.
- ⑤ **Anti-rotation plate**—Eliminates lock rotation, prevents loosening of fixing nut, and provides additional security in particleboard applications. Eliminates pronged wood washer.
- ⑥ **Finger pull**—Optional finger pull eliminates need for additional cabinet pull. Mounts on front of lock.
- ⑦ **Lost motion**—Key removable in locked or unlocked position.
- ⑧ **Stock or custom keyed**—Keyed alike, keyed different, master keyed, and custom keying available.

DCN & DCR Cam Lock



2720 N.E. 115th Street
Seattle, WA 98125
206-362-3290 • 800-525-0954
FAX 206-362-3569

www.olympus-lock.com
info@olympus-lock.com

In This Issue

Product Spotlight:
DCN/DCR
DCN/DCR General
Features & Dimen-
sions
Accessories for
DCN/DCR
Other Information

Product Spotlight: DCN / DCR CAM LOCKS

DCN/DCR General Features

General features:

- Easily rekeyable via cylinder retainer clip
- Pin tumbler cylinder drilled for 5 pin
- 2 reversible cams work in all positions
- 1" face covers splintering - no additional trim ring required
- 26D or US3 finish
- Keyed alike, keyed different or master keyed—custom keying available
- Packed 10 per box

DCN1-4 features:

- National D4291 keyway
- Nickel plated keys / keyblanks
- KD/KA - 4 pin standard
- KA# 101, 103, 107, 915
- Master keyed - 5 pin standard

DCR1-4 features:

- CCL R1 keyway
- Nickel plated keys / keyblanks
- KD/KA/MK - 5 pin standard
- KA# 4T21579, 4T37526

Includes:

- DCNP-500-ARP anti-rotation plate
- DCNP-100-SC straight cam
- DCNP-100-BC offset cam
- DCNP-200-OCD lost motion cam shifter

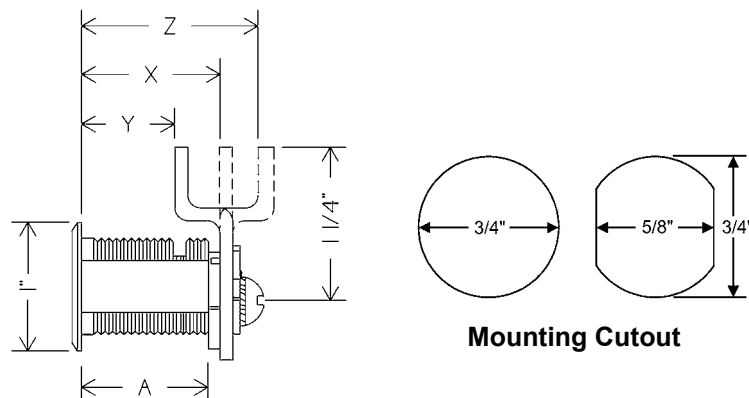
Available Separately:

- DCNP-200-KR key retaining drawer cam shifter
- DCNP-200-KDR key retaining door cam shifter
- DCNP-100-LC long 3" straight cam
- DCNP-100-LBC long offset cam
- DCNP-100-BC5 1/2" offset cam
- DCNP-100-WB short cam
- DCNP-300-FP finger pull

DCN/DCR Dimensions

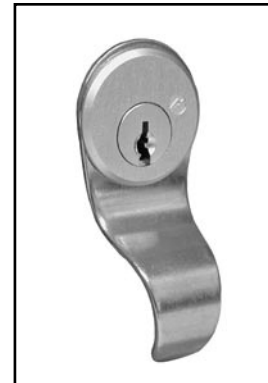
	For Mat. Thickness	Straight Cam (X)	Inbent Cam (Y)	Outbent Cam (Z)	Cylinder Length (A)
DCN1	3/4"	1-1/16"	3/4"	1-3/8"	1"
DCN2	7/8"	1-3/16"	7/8"	1-1/2"	1-1/8"
DCN3	1-1/8"	1-7/16"	1-1/8"	1-3/4"	1-3/8"
DCN4	1-1/2"	1-13/16"	1-1/2"	2-1/8"	1-3/4"

	For Mat. Thickness	Straight Cam (X)	Inbent Cam (Y)	Outbent Cam (Z)	Cylinder Length (A)
DCR1	3/4"	1-1/16"	3/4"	1-3/8"	1"
DCR2	7/8"	1-3/16"	7/8"	1-1/2"	1-1/8"
DCR3	1-1/8"	1-7/16"	1-1/8"	1-3/4"	1-3/8"
DCR4	1-1/2"	1-13/16"	1-1/2"	2-1/8"	1-3/4"



Mounting Cutout

NEW ITEM!



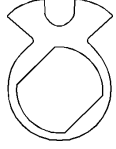
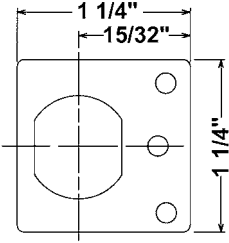
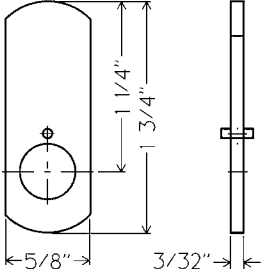
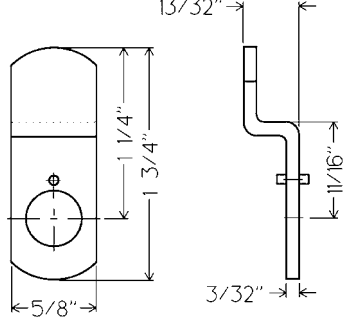
DCNP-300-FP optional finger pull

TOLL-FREE 800-525-0954

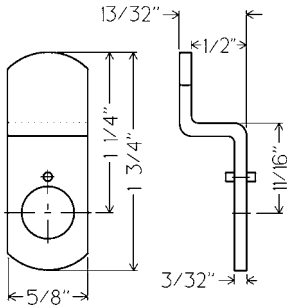
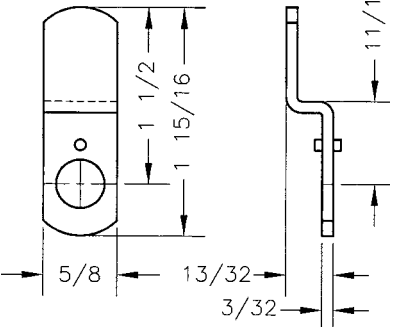
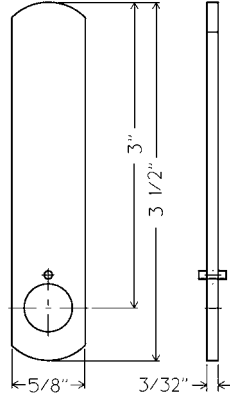
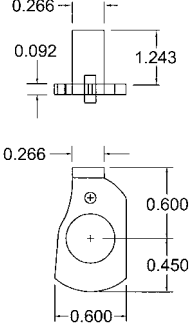
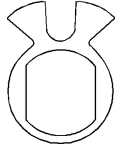

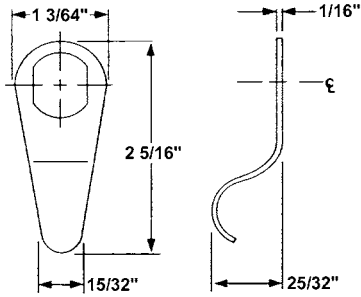
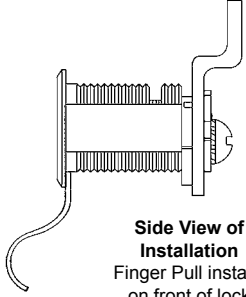
OLYMPUS
LOCK, INC.

Product Spotlight: DCN / DCR CAM LOCKS

DCN/DCR Included Accessories

 <p>DCNP-200-OCD lost motion, non-key retaining cam shifter</p>	 <p>DCNP-500-ARP anti-rotation plate</p>	 <p>DCNP-100-SC straight cam</p>	 <p>DCNP-100-BC bent cam</p>
---	--	---	--

DCN/DCR Optional Accessories

 <p>DCNP-100-BC5 1/2" offset cam</p>	 <p>DCNP-100-LBC long offset cam</p>	 <p>DCNP-100-LC long 3" straight cam</p>	 <p>DCNP-100-WB short cam</p>
 <p>DCNP-200-KR key retaining drawer cam shifter</p>  <p>DCNP-200-KDR key retaining door cam shifter</p>	 <p>DCNP-300-FP finger pull for cam locks, stainless steel finish</p>  <p>Side View of Installation Finger Pull installs on front of lock</p>		

TOLL-FREE 800-525-0954

OLYMPUS
LOCK, INC.

Other Information

Digital artwork available

Contact Beth Nielsen in the Olympus Lock marketing department for free digital photos or line art on CD-ROM. Our most recent catalog is also available on CD-ROM in PDF format.

Promotional ideas

Do you have a promotional idea involving Olympus Lock? Contact Beth Nielsen in the Olympus Lock marketing department to discuss your idea.

Visit our website, link to our website

Looking to see if we have anything new? Visit our website. Our website is continually updated with the most current information and new products. Visit us at www.olympus-lock.com.

Current literature

Contact your Olympus Lock representative or call Olympus directly for the most recent version of our catalogs and price list. Current editions are:

- New Full line catalog just out!
July, 2004
- Condensed catalog:
June, 2003
- New price list:
May 1, 2003 - Revision 1B
Revision 1B includes new padlock pricing effective July 1, 2004 and some minor parts additions

Literature Corrections

Error correction: Please note the following errors:

August, 2003 full-line catalog:

Page 14: 777/888 locks

June, 2003 condensed catalog:

Page 4: 777/888 locks

Correction: To work properly, Everest cores need to be installed in 777P and 888P locks not 777IC and 888IC locks.

Olympus Lock, Inc.
2720 NE 115th Street
Seattle, WA 98125